

**Cascadable Amplifier
10 to 500 MHz**

SMLA88

V2

Features

- AVAILABLE IN SURFACE MOUNT
- SYMMETRICAL CLIPPING
GOOD EVEN-ORDER SUPPRESSION
- HIGH OUTPUT LEVEL: +17 dBm (TYP.)
- HIGH THIRD-ORDER IP: +28 dBm (TYP.)

Description

The LA88 limiting amplifier is a discrete hybrid design, which uses thin film manufacturing processes for accurate performance and high reliability.

This design uses a Schottky diode limiter circuit at the input, and a single stage bipolar transistor feedback amplifier at the output. An RF choke is used for DC power supply decoupling. Both TO-8 and Surface Mount packages are hermetically sealed, and MIL-STD-883 environmental screening is available.

Ordering Information

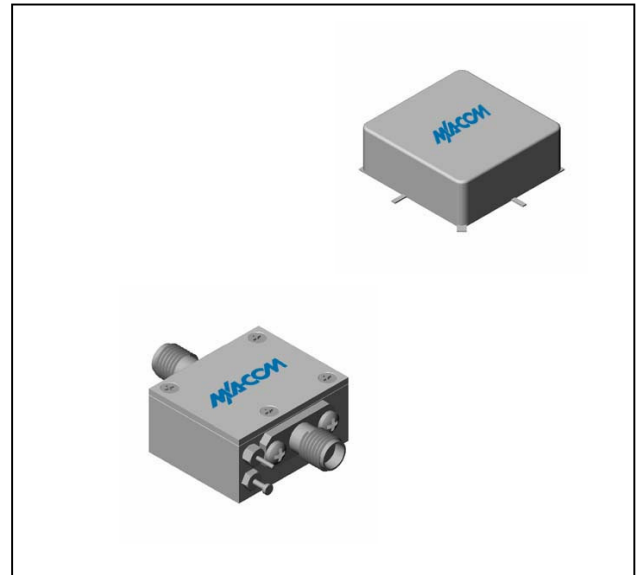
Part Number	Package
SMLA88	Surface Mount
CLA88 **	SMA Connectorized

** The connectorized version is not RoHs compliant.

Electrical Specifications: $Z_0 = 50\Omega$, $V_{CC} = +15 V_{DC}$

Parameter	Units	Typical	Guaranteed	
		25°C	0° to 50°C	-54° to +85°C*
Frequency	MHz	10-600	10-500	10-500
Small Signal Gain (min)	dB	16.5	16.0	15.0
Gain Flatness (max)	dB	±0.2	±0.5	±0.7
Noise Figure (max)	dB	6.0	6.5	7.0
Power Output @ 1 dB comp. (min)	dBm	+17.0	+15.0	+13.0
Output Limiting Level (max) Pin = +20 dBm	dBm	+20.5	+21.0	+22.5
VSWR Input / Output (max)		1.7:1	1.9:1	2.0:1
DC Current @ 15 Volts (max)	mA	89	91	93

Product Image



Absolute Maximum Ratings

Parameter	Absolute Maximum
Storage Temperature	-62°C to +125°C
Maximum Case Temperature	125°C
Maximum DC Voltage	+17 V
Maximum Continuous Input Power	+23 dBm
Maximum Short Term Input power (1 minute max.)	400 mW
Maximum Peak Power (3 µsec max.)	1 W
"S" Series Burn-In Temperature (case)	+125°C

Thermal Data: $V_{CC} = +15 V_{DC}$

Parameter	Rating
Thermal Resistance θ_{jc}	°C/W
Transistor Power Dissipation P_d	W
Junction Temperature Rise Above Case T_{jc}	°C

* Over temperature performance limits for part number CLA88, guaranteed from 0°C to +50°C only.

M/A-COM Inc. and its affiliates reserve the right to make changes to the product(s) or information contained herein without notice. M/A-COM makes no warranty, representation or guarantee regarding the suitability of its products for any particular purpose, nor does M/A-COM assume any liability whatsoever arising out of the use or application of any product(s) or information.

• **North America** Tel: 800.366.2266 / Fax: 978.366.2266
 • **Europe** Tel: 44.1908.574.200 / Fax: 44.1908.574.300
 • **Asia/Pacific** Tel: 81.44.844.8296 / Fax: 81.44.844.8298

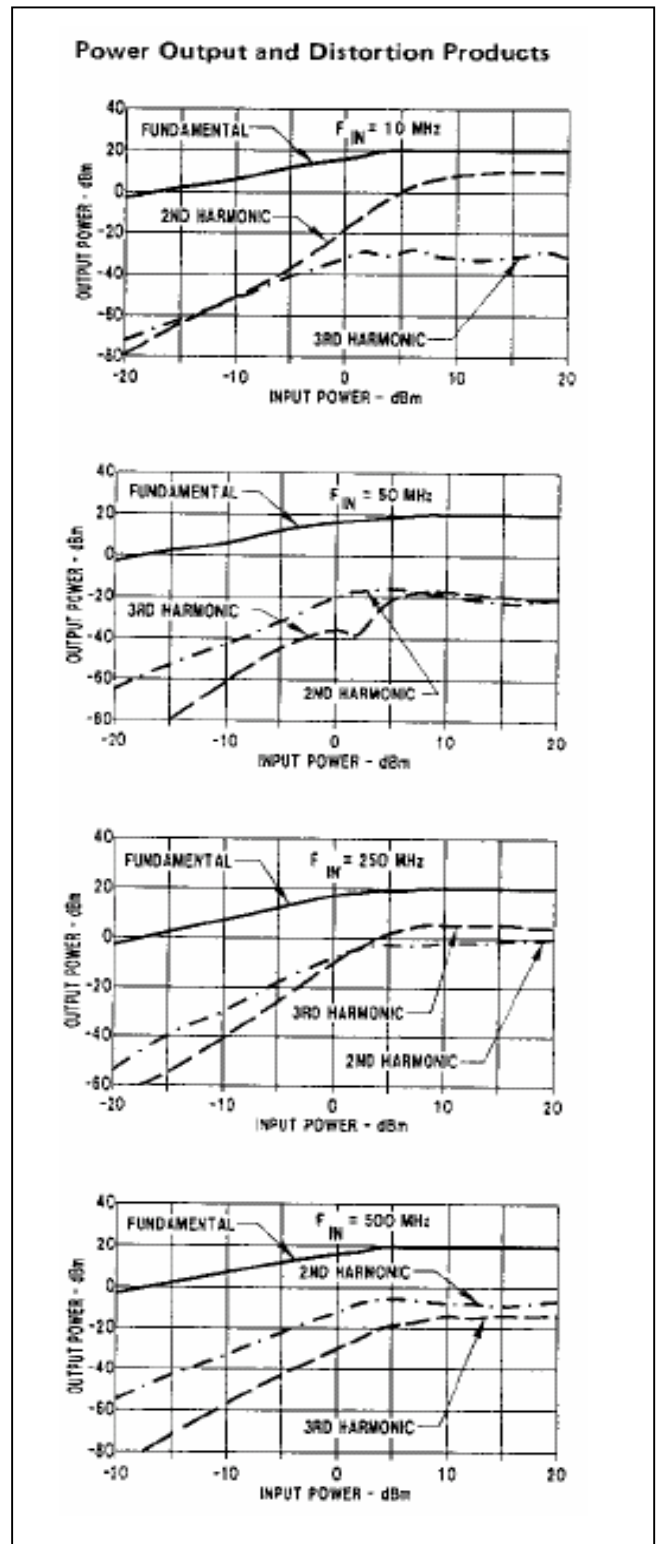
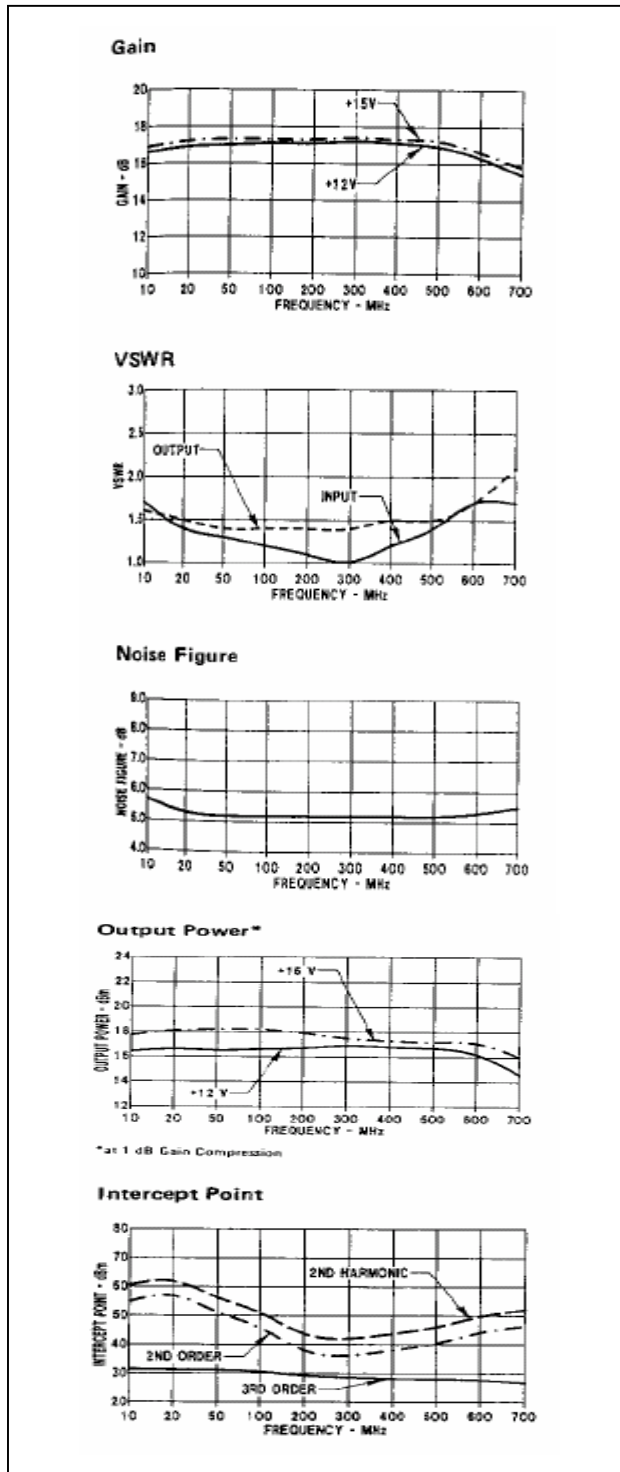
Visit www.macom.com for additional data sheets and product information.

**Cascadable Amplifier
10 to 500 MHz**

SMLA88

V2

Typical Performance Curves at +25°C

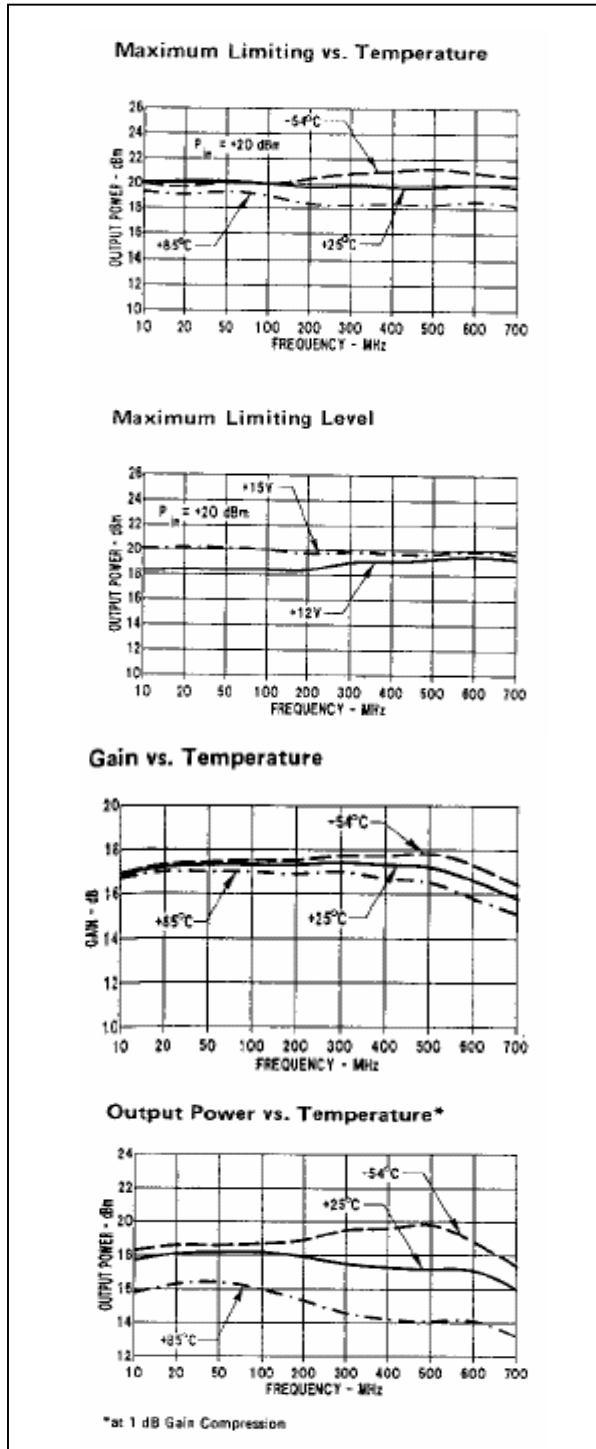


**Cascadable Amplifier
10 to 500 MHz**

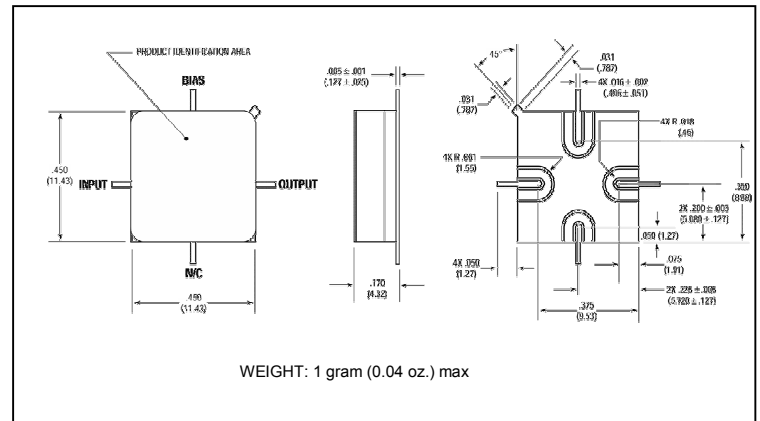
SMLA88

V2

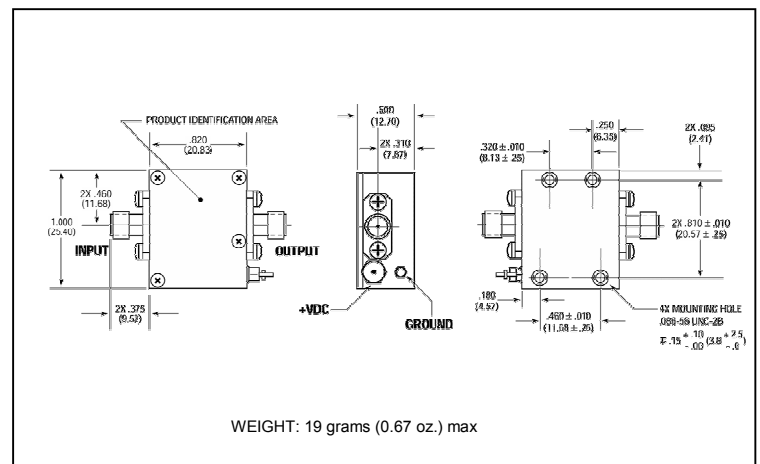
Typical Performance Curves at +25°C



Outline Drawing: Surface Mount *



Outline Drawing: SMA Connectorized *



* Dimensions are inches (millimeters) ± 0.015 (0.38) unless otherwise specified.